



**Section** EN54 Voice Evacuation Systems

**Category** EN54-24 Loudspeakers

**Code** C56/12-EN

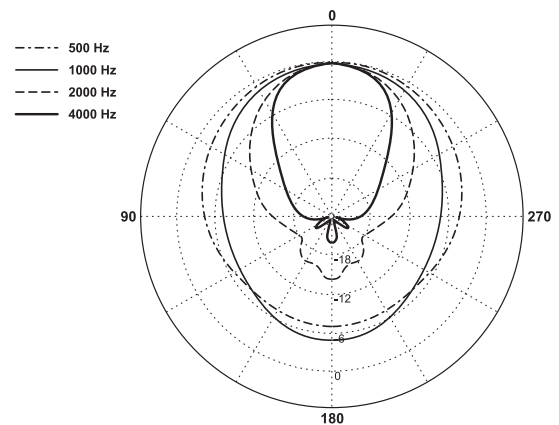
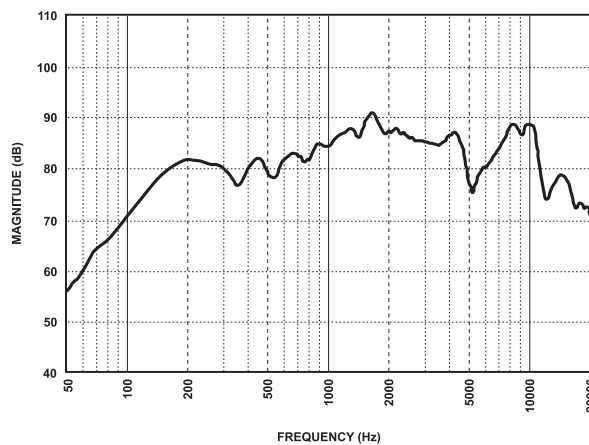
**References**  
**Safety:** Compliant to EN 50200, EN 62368-1  
**Emergency:** EN54-24:2008 (cert. no. 0068/CPR/153-2020)  
 ISO 7240-19:2010 - CEN/TS 54-32:2015 - EN 50849  
**Application:** Outdoor environment (Type B)



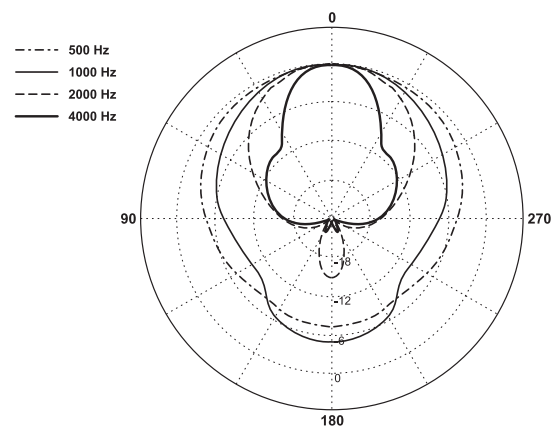
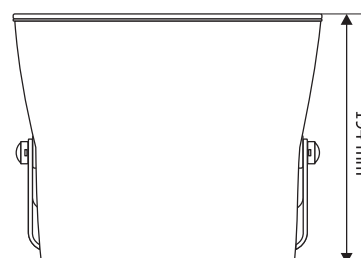
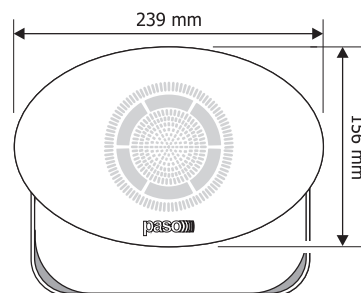
**Description** EN54-24 12W "Sunflower" elliptical sound projector for voice alarm systems

The C56/12-EN elliptical sound projector is made of self-extinguishing white ABS, it has a high acoustic efficiency and an original and modern design. This projector is equipped with a transformer for constant-voltage lines and with a swivelling bracket for securing it easily to a wall or the ceiling; the protection degree is IP55, for outdoor use. This speaker unit has been developed specifically for use in emergency and evacuation systems (VES) and has its own ceramic terminal strip and thermal fuse. These ensure the protection of the line connecting the loudspeakers if a fire puts one or more of the speaker units connected to it out of use.

**Technical data**



Horizontal plot



Vertical plot

Technical data

C56/12-EN



20

PASO S.p.A Via Settembrini, 34 - 20020 Lainate (MI)

0068

0068/CPR/153-2020

**EN 54-24**

Loudspeaker for voice alarm systems  
for fire detection and fire alarm systems for buildings

**C56/12-EN**

Type B

No. of loudspeakers	1
Rated output	12 W
Adjustable power	12 W / 6 W / 3 W
Line transformer inputs	50 V / 70 V / 100 V
Rated impedance (100V line)	830 $\Omega$ (12 W) / 1670 $\Omega$ (6 W) / 3330 $\Omega$ (3 W)
Frequency response @ -6dB	130 $\div$ 16.000 Hz
Efficiency @ 1W/1m	84 dB
Maximum acoustic pressure SPL @ Pmax/1m	95 dB
Horizontal dispersion angle (- 6dB)	500 Hz: 230° 1 kHz: 160° 2 kHz: 90° 4 kHz: 60°
Vertical dispersion angle (- 6dB)	500 Hz: 220° 1 kHz: 160° 2 kHz: 90° 4 kHz: 45°
Material	UL94-V0 self-extinguishing
Colour	White
Protection degree	IP 55
Size	239 x 156 x 194 mm
Net weight	1,9 kg